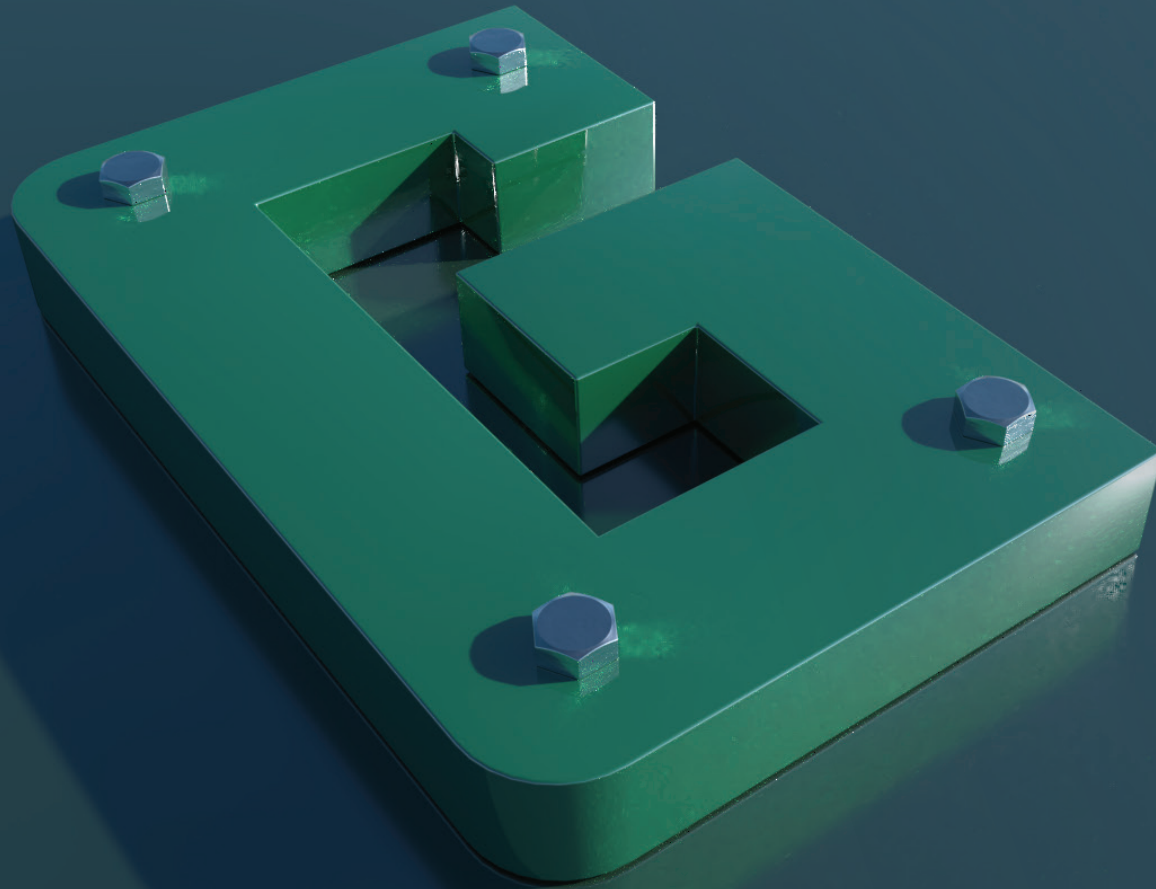
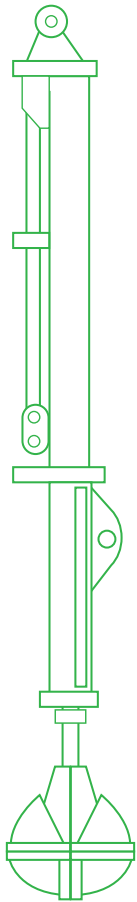




TELESCOPIC BOOM KM SERIES



TELESCOPIC BOOM



FEATURES AND BENEFITS

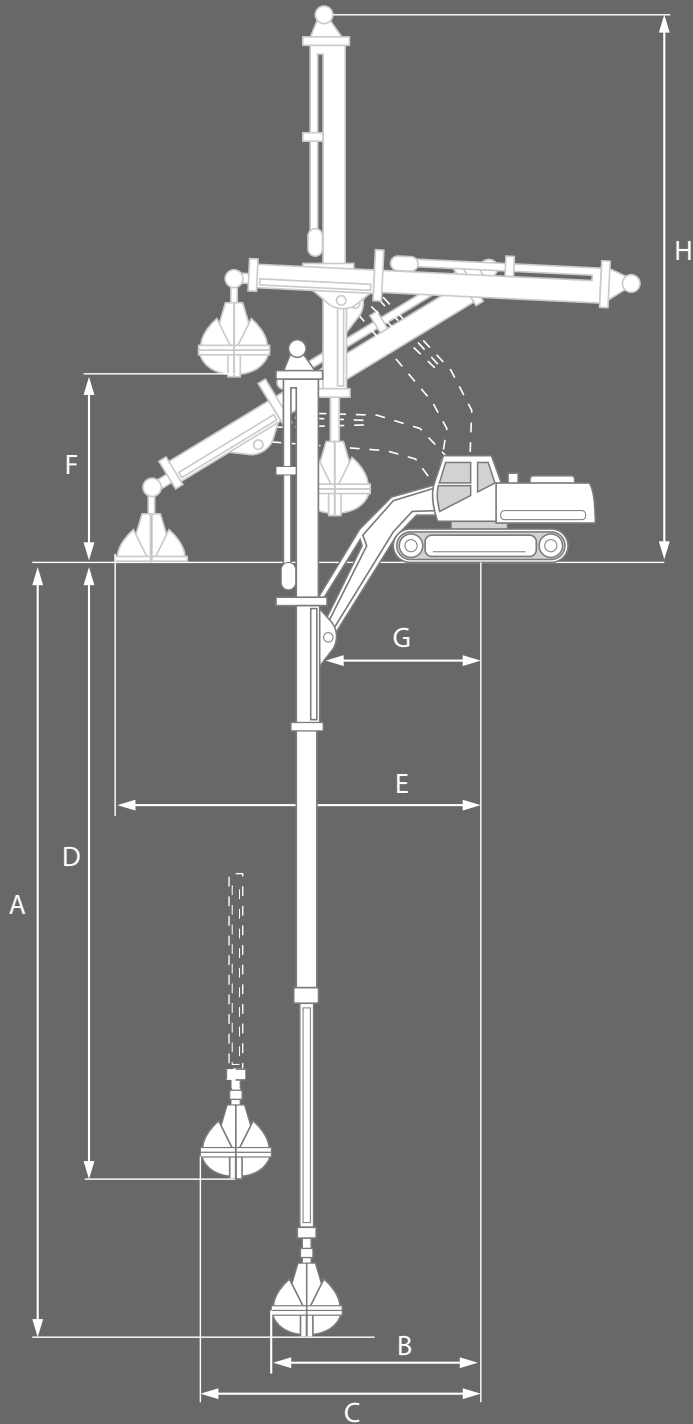
The Telescopic Excavator Boom is the ideal vertical stereo construction tool. It is convenient for use in small spaces.

Some of the benefits of this boom include simple maintenance, low cost and high yield. The reliable telescopic structure of steel wire rope largely improves its service life. There are four models to select from.

They are designed in strict accordance with the safety standard of EU EN791, satisfying the requirements of dynamic and static stability, ensuring construction safety.



SPECIFICATIONS + DIMENSIONS



MODEL

MODEL	KM150	KM220	KM260	KM300
	Hydraulic cylinder & Wire rope	Hydraulic cylinder & Wire rope	Hydraulic cylinder & Wire rope	Hydraulic cylinder & Wire rope
Weight	3.3t	4.3t	5.6t	6.5t
Bucket Capacity	0.3m ³	0.6m ³	1.2m ³	1.3m ³
A: Max. Digging Depth	15.2m	22.5m	27.2m	30.3mm
B: Max. Digging Radius / Digging Depth)	4.6m	5.8m	6.4m	6.9m
C: Max. Vertical Digging Radius	6.4m	7.4m	8.5m	8.8m
D: Max. Digging Depth / Vertical Digging Radius)	11.8m	19.9m	22.4m	25.6m
E: Max. Operating radius	7.9m	9.8m	11.3m	12.5m
F: Max. Hoisting Height	2.8m	4.5m	5.8m	6.2m
G: Min. Operating Radius	3.9m	4.5m	5.5m	5.5m
H: Max. Operating Height	9.5	13.6m	16.7m	16.9m
M: Overall Transport Length	6.9m	10.7m	12.4m	13.7m
Weight of Bucket	520Kg	990Kg	1600Kg	2250Kg
Recommended excavator capacity	≥16ton	≥23ton	≥36ton	≥40ton